

## UMK-BE 45

Order No.: 2970015

The illustration shows a combination of versions UMK SE 11,25, UMK BE 11,25,- 22,5, -45 and UMK-FE



<http://eshop.phoenixcontact.de/phoenix/treeViewClick.do?UID=2970015>

Electronic board base, plug-in module base element

### Commercial data

EAN	4017918087548
Pack	10 Pcs.
Customs tariff	85369010
Weight/Piece	0.0178 KG
Catalog page information	Page 566 (CC-2007)

### Product notes

WEEE/RoHS-compliant since:  
01/01/2003



<http://www.download.phoenixcontact.com>  
Please note that the data given here has been taken from the online catalog. For comprehensive information and data, please refer to the user documentation. The General Terms and Conditions of Use apply to Internet downloads.

### Technical data

#### General

Housing type	Panel mounting base
Housing material	Polyamide
Color	green

**Dimensions / positions**

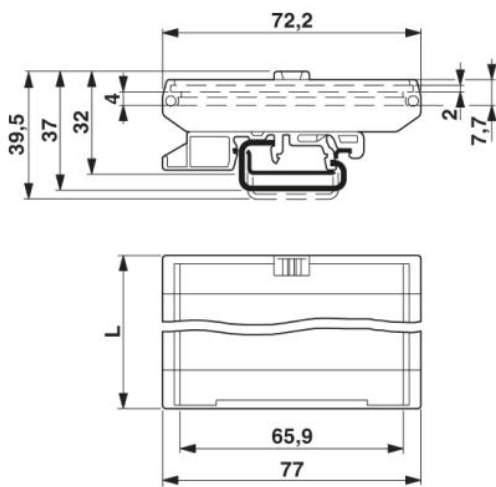
Length	77 mm
Width	45 mm

**Technical data**

Ambient temperature (operation)	-40 °C ... 105 °C
Inflammability class acc. to UL 94	V2

**Drawings**

Dimensioned drawing



**Address**

PHOENIX CONTACT Inc., USA  
586 Fulling Mill Road  
Middletown, PA 17057, USA  
Phone (800) 888-7388  
Fax (717) 944-1625  
<http://www.phoenixcon.com>



© 2008 Phoenix Contact  
Technical modifications reserved;